



Ball Valves to DIN Standard

SBVD 370 Series



Ball Valve to DIN Standard

Features

- Pressure rating : 7200psig (500bar)
- Temperature rating :
-20°C to 100°C with POM
and NBR standard.
- Compact design with max orifice.
- Conforms to DIN standard.
- Each and every valves are
tested at the factory.



Technical Data

Materials of Construction

Component	Specification			
	Valve Body Materials			
	SS316		Carbon Steel	
	ASTM	DIN	ASTM	DIN
Body	A479 / SS316	17440 / 1.4571	A108 / 12L14	1651 / 9SMn28K
End Connector				
Stem				
Ball	316 Stainless Steel			
Ball Seals	POM-MoS ₂ (Standard)			
Stem & Connector Seals	NBR (Standard)			
Handle	SS316		Carbon Steel	
Locking Device	Stainless Steel			

Temperature Rating

Stem and Connector Seals

Materials	Temperature Rating
NBR	-30°C to 100°C
Viton	-25°C to 200°C
EPDM	-50°C to 130°C

Ball Seals

Materials	Temperature Rating
POM - MoS ₂	-30°C to 100°C
PTFE	-54°C to 232°C

Specification

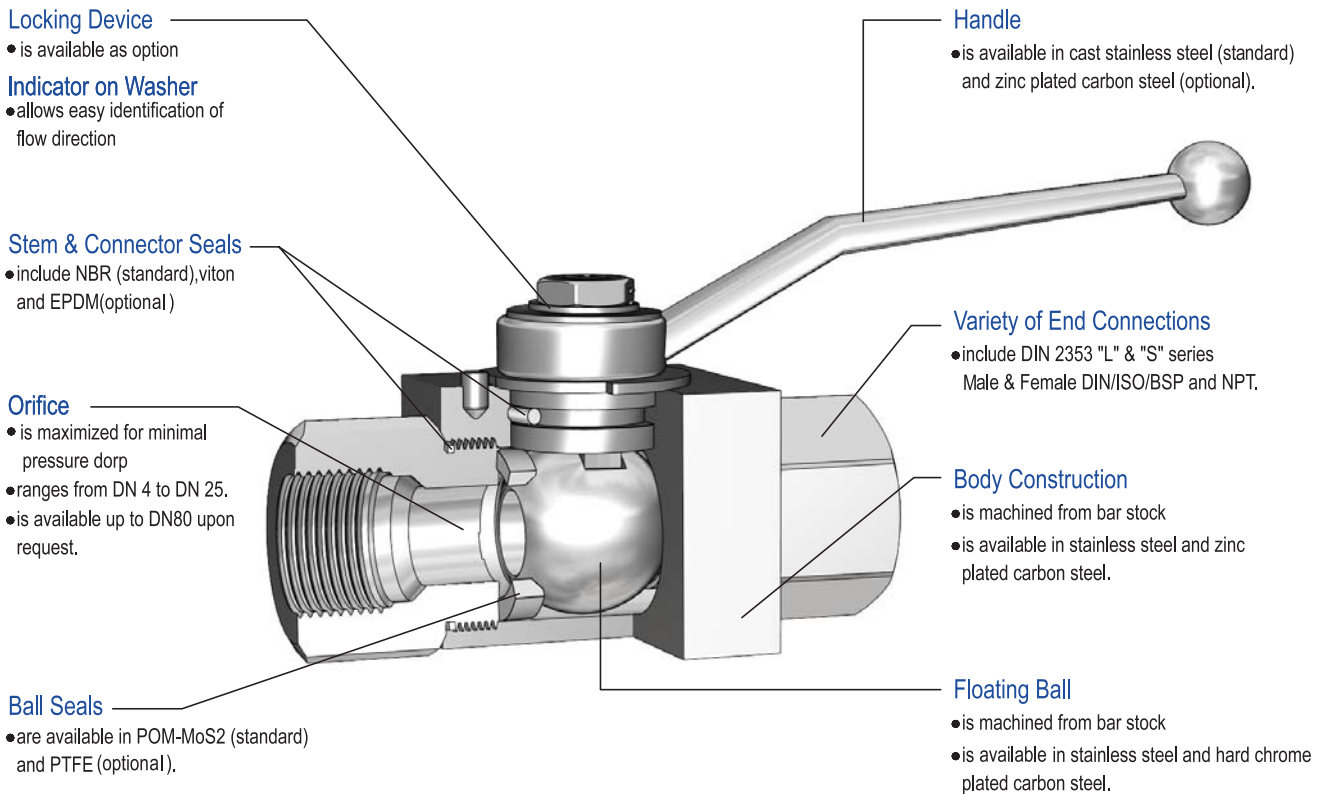


Table of Dimension

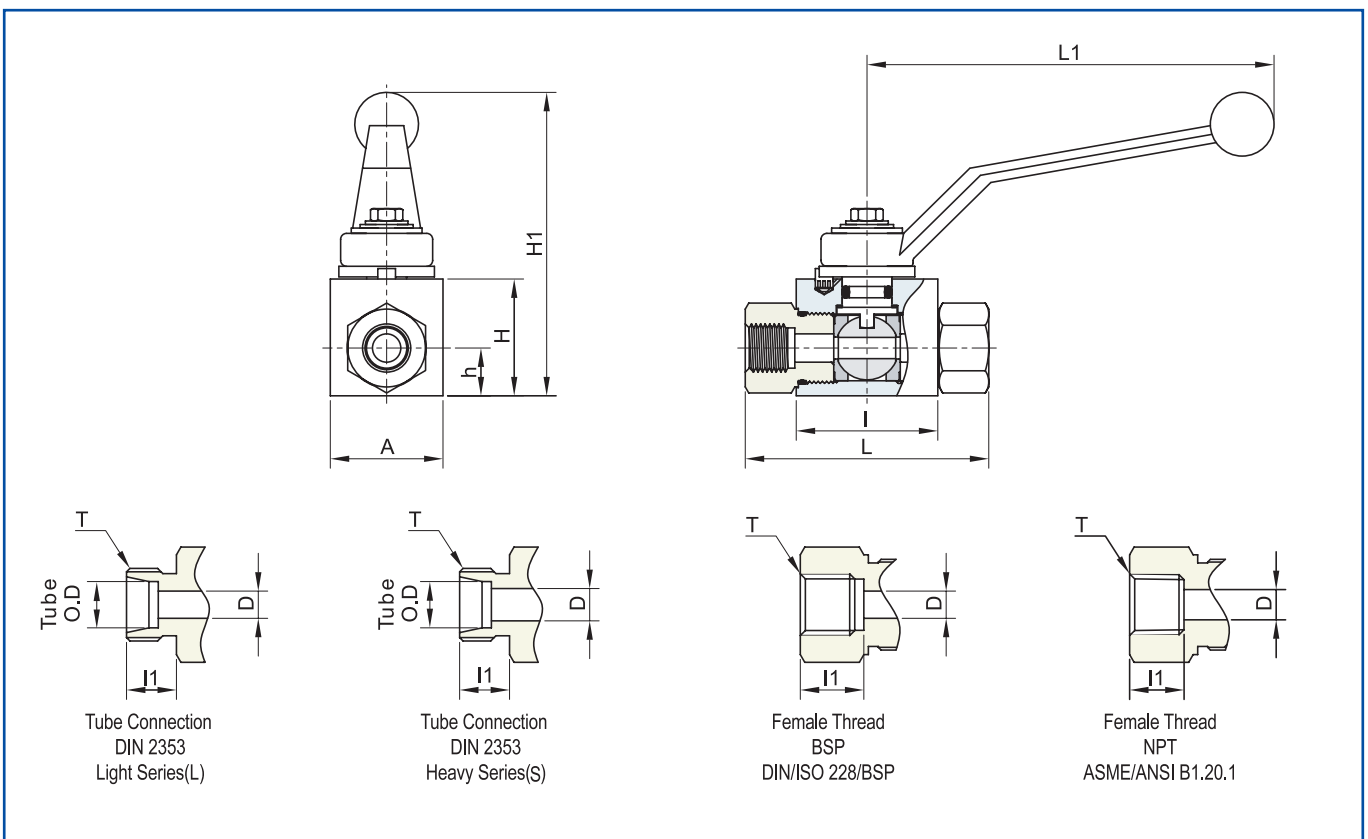


Table of Dimension

DIN 2353 Light Series (L)

(unit : mm)

Part Number	Tube O.D.	Max Orifice D	*PB	A	H	H1	h	l	l1	L	L1	Thread T	
SBVD3701	D-06L	6	6	500	26	33	83	13.5	40	10	67	115	M12 × P1.5
	D-08L	8	6	500	26	33	83	13.5	40	10	67	115	M14 × P1.5
SBVD3702	D-10L	10	10	500	32	40	88	17.5	45	11	76	115	M16 × P1.5
	D-12L	12	10	500	32	40	88	17.5	45	11	76	115	M18 × P1.5
SBVD3703	D-15L	15	15	400	40	46	96	19.0	51	12	82	160	M22 × P1.5
	D-18L	18	15	400	40	46	96	19.0	51	12	82	160	M26 × P1.5
SBVD3704	D-22L	22	20	315	55	57	112	24.5	60	14	101	200	M30 × P2.0
	D-28L	28	25	315	58	65	120	29.5	70	14	108	200	M36 × P2.0
SBVD3705	D-35L	35	32	315	76	86	150	40.5	80	16	136	250	M45 × P2.0
	D-42L	42	38	315	100	103	170	50.0	85	16	147	250	M52 × P2.0

DIN 2353 Heavy Series (S)

(unit : mm)

Part Number	Tube O.D.	Max Orifice D	*PB	A	H	H1	h	l	l1	L	L1	Thread T	
SBVD3701	D-08S	8	6	500	26	33	83	13.5	40	12	73	115	M16 × P1.5
	D-10S	10	6	500	26	33	83	13.5	40	12	73	115	M18 × P1.5
SBVD3702	D-12S	12	10	500	32	40	88	17.5	45	12	78	115	M20 × P1.5
	D-14S	14	10	500	32	40	88	17.5	45	14	82	115	M22 × P1.5
SBVD3703	D-16S	16	15	400	40	46	96	19.0	51	14	86	160	M24 × P1.5
	D-20S	20	15	400	40	46	96	19.0	51	16	90	160	M30 × P2.0
SBVD3704	D-25S	25	20	315	55	57	112	24.5	60	18	109	200	M36 × P2.0
	D-30S	30	25	315	58	65	120	29.5	70	20	120	200	M42 × P2.0
SBVD3705	D-38S	38	32	315	76	86	150	40.5	80	22	148	250	M52 × P2.0

Female DIN/ISO 228/BSP

(unit : mm)

Part Number	Max Orifice D	*PB	A	H	H1	h	l	l1	L	L1	Thread T	
SBVD3701	F-2G	6	500	26	33	83	13.5	40	10.0	69	115	1/8" PF
	F-4G	6	500	26	33	83	13.5	40	14.0	69	115	1/4" PF
SBVD3702	F-6G	10	500	32	40	88	17.5	45	14.0	74	115	3/8" PF
SBVD3703	F-8G	15	400	40	46	96	19.0	51	16.5	83	160	1/2" PF
	F-10G	15	400	40	46	96	19.0	51	16.0	83	160	5/8" PF
SBVD3704	F-12G	20	315	55	57	112	24.5	60	18.0	95	200	3/4" PF
	F-16G	25	315	58	65	120	29.5	70	20.0	113	200	1" PF
SBVD3705	F-20G	32	315	76	86	150	40.5	80	22.0	111	250	1 1/4" PF
	F-24G	38	315	100	103	170	50.0	85	24.0	130	250	1 1/2" PF

Female NPT (ANSI/ASME B1.20.1)

(unit : mm)

Part Number	Max Orifice D	*PB	A	H	H1	h	l	l1	L	L1	Thread T	
SBVD3701	F-2N	6	500	26	33	83	13.5	40	13.0	69	115	1/8" NPT
	F-4N	6	500	26	33	83	13.5	40	17.0	69	115	1/4" NPT
SBVD3702	F-6N	10	500	32	40	88	17.5	45	17.4	80	115	3/8" NPT
SBVD3703	F-8N	15	400	40	46	96	19.0	51	25.0	104	160	1/2" NPT
	F-10N	15	400	40	46	96	19.0	51	25.0	104	160	5/8" NPT
SBVD3704	F-12N	20	315	55	57	112	24.5	60	23.1	102	200	3/4" NPT
	F-16N	25	315	58	65	120	29.5	70	27.8	119	200	1" NPT
SBVD3705	F-20N	32	315	76	86	150	40.5	80	28.3	120	250	1 1/4" NPT
	F-24N	38	315	100	103	170	50.0	85	28.0	130	250	1 1/2" NPT

NOTE

* : PB in bar with a safety factor of 1.5.