

CHECK VALVES



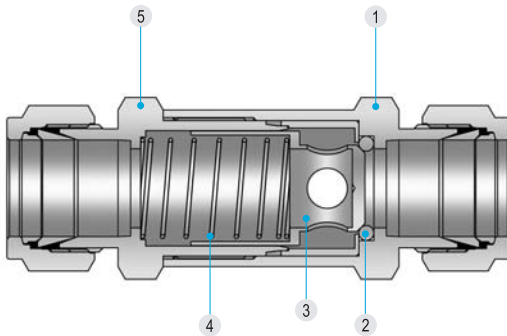
SPCV Series

Features

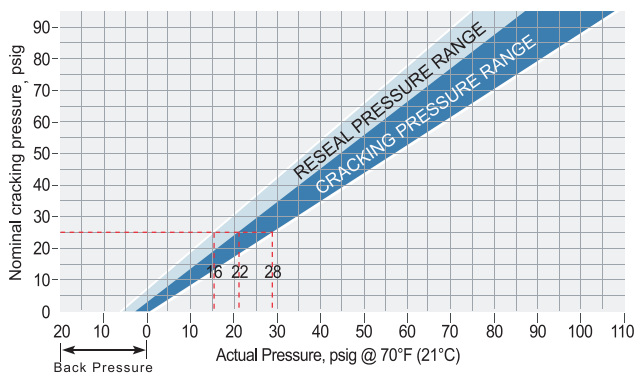
- Fixed cracking pressure.
- Pressure rating up to 3000 psig @70 °F (21 °C)
- Temperature rating up to 375 °F (191 °C) with viton o-ring
- Variety of end connections.
- Each and every valves are tested at the factory.



Materials of Construction



No.	Description	Material
1	Inlet Body	ASTM A276 Type 316
2	O-Ring	Viton
3	Poppet	ASTM A276 Type 316
4	Spring	304 Stainless Steel
5	Outlet Body	ASTM A276 Type 316



O-Rings

O-ring Material	Temperature Rating °F(°C)	Designator
Buna N	-10 to 250 (-23 to 121)	-N
Ethylene Propylene	-70 to 250 (-57 to 121)	-E
Viton (Fluorocarbon)	-10 to 375 (-23 to 191)	Standard
Kalrez	-15 to 500 (-26 to 260)	-K
Neoprene	-35 to 225 (-37 to 107)	-P

To order, insert the seal material designator into the valve ordering number. ex)SPCV-S-8-1P-N

Back Pressure

Back pressure may be required to reseat the valves with nominal cracking pressure of 5psi or lower.

Example : For a valve with a spring having a rated cracking pressure of 25 psig (1.72 bar), the actual cracking pressure ranges between 22 and 28 psig (1.52 to 1.93 bar). The re-seal pressure range would be 16 to 22 psig (1.10 to 1.52 bar). Check valves having springs with rated crack pressure of 3 psig (0.21 bar) or less may require up to 4 psig (0.28 bar) back pressure to re-seal bubble-tight.

