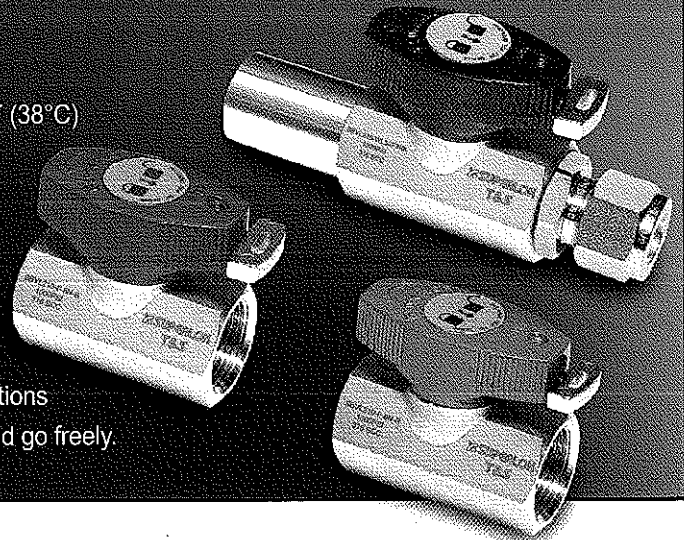


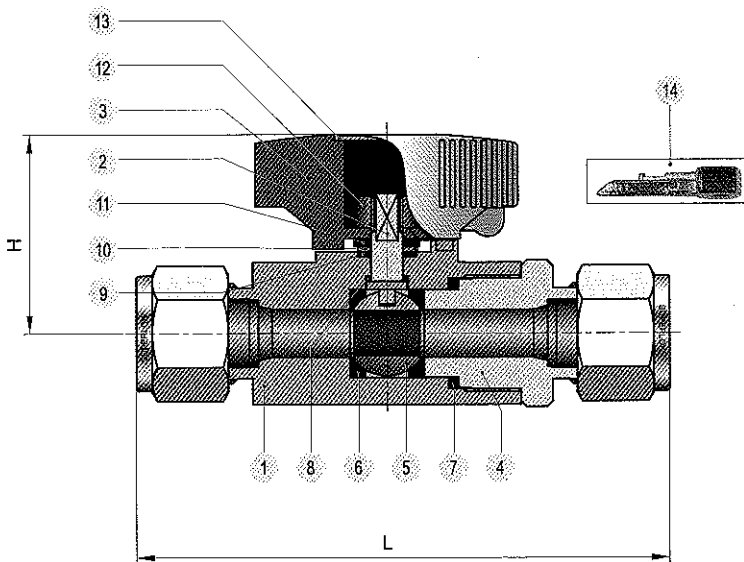
Key Operation Ball Valves **®** SUPERLOK[®]

Features

- Maximum Operating Pressure : 1000psig (69 bar) @ 100°F (38°C)
- Body Materials : 316 Stainless Steel
- Seat Materials : PTFE, Reinforced PTFE (Optional)
- It can prevent various accidents by inappropriate caused by inappropriate operations of the unauthorized or unskilled persons in constructing, inspecting and running piping-work.
- It can prevent the accidents caused by inappropriate operations without permission or by intention in the places to come and go freely.



Technical Data



No.	Description	Material
1	Body	SUS316
2	Stem	SUS316
3	Handle	AL
4	End Connector	SUS316
5	Ball	SUS316
6	Ball Seal	PTFE
7	Connector Seal	PTFE
8	Lower Stem Seal	PTFE
9	Upper Stem Seal	PTFE
10	Lower Stem Washer	SUS304
11	Upper Stem Washer	SUS304
12	Flange Nut	SUS304
13	Handle Cap	AL
14	Master Key	Zn

Series	Order Number		Orifice	End Connection		Dimensions	
	Part No.			inlet	outlet	A	H
SBVL210	S	6M	5.0	6mm SUPERLOK		79.8	32
	S	4		1/4 SUPLERLOK		79.8	
	F	4N		1/4 FEMALE NPT		42.8	
	S	10M	7.5	10mm SUPERLOK		91.5	35
	S	6		3/8 SUPERLOK		91.5	
	F	6N		3/8 FEMALE NPT		46.6	
	S	12M	9.0	12mm SUPERLOK		101.4	38
	S	8		1/2 SUPERLOK		101.4	
	F	8N		1/2 FEMALE NPT		55.0	
	S	16M	12.5	16mm SUPERLOK		107.6	41
	S	10		5/8 SUPERLOK		107.0	
	S	12		3/4 SUPERLOK		107.0	
	F	12N	3/4 FEMALE NPT		61.3	44	
	S	16	16.0	1 SUPERLOK			131.0
	F	16N		1 FEMALE NPT			76.0

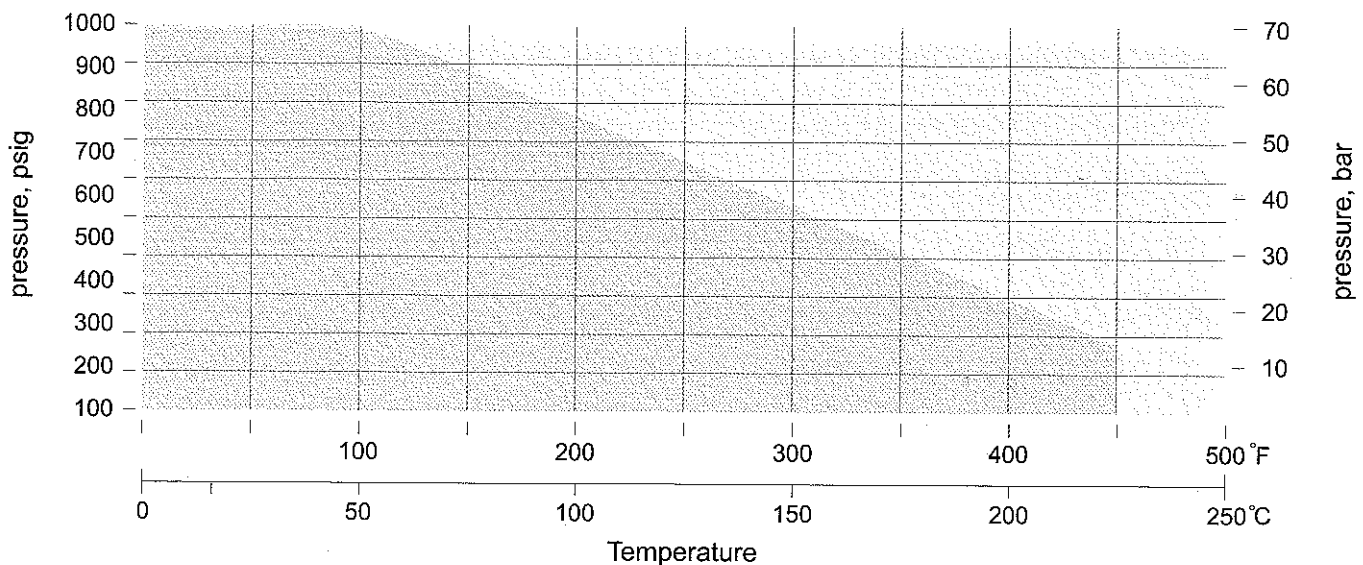
Dimensions shown with SUPERLOK nuts measure in the finger-tight, where applicable. All dimensions are for reference only, subject to change.

Key Operation Ball Valves ® SUPERLOK[®]

Valve type

1. **Standard Type** : Locking Function works at both of the open & Close End as a Master Key is taken out from the handle.
 - The Master Key is needed all the way you turn on and off the valve.
2. **Open Free Type** : Locking function works at the Open End as a Master Key is taken out from the handle
 - It is free to open the handle of valve without of valve without the Master Key. But the handle will not move in the state of Full Open. The Master Key is needed as you start to close the valve.(It is very useful and available in the line where a fatal accident or serious damage can be broken out as the fluid of the line is blocked up.)
3. **Close Free Type** : Locking Function works at the Close End as a Master Key is taken out from the handle
 - It is free to close the handle of valve without a Master Key, but the handle will not move in the state of Full Close. The Master Key is needed as you staer to open the valve.
 (It is very useful and available in the line where a fatal accicent or serious famage can be broken out as the valve is opened without permission or by intention)
4. **Special Type** : Locking Function works at An optional Point or A Certain Section by customer specifications.

Pressure-Temperature Rating



Ordering Information

SBVL 210 - S - 8 - OT

1

2

3

4

- 1 : Valve Type Designator 2 : End Connection Designator 3 : Size Designator
 4 : Valve Type (1:Standard Type : -, 2:Open Free Type : OT, 3:Close Free Type : CT, 4: Special Type : ST)