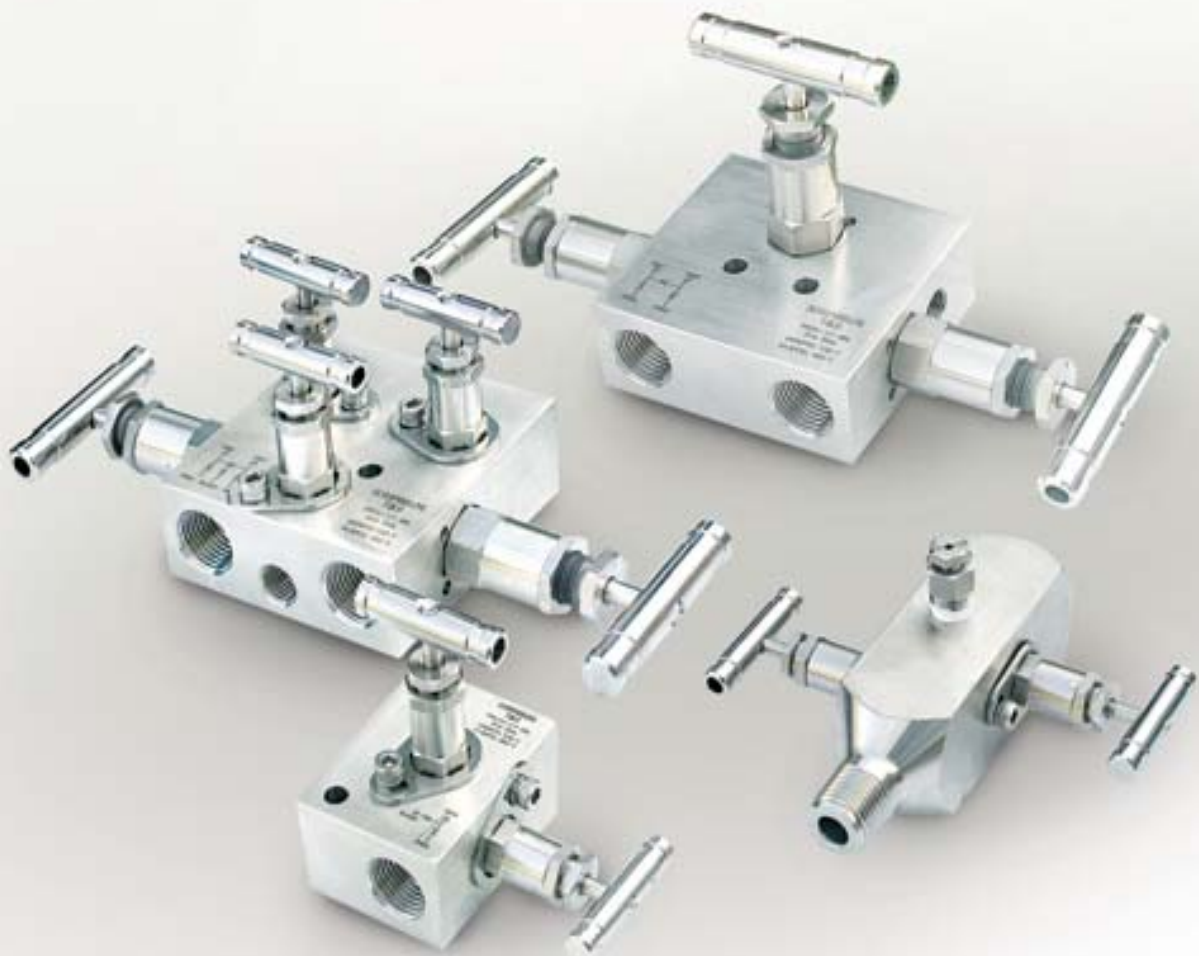
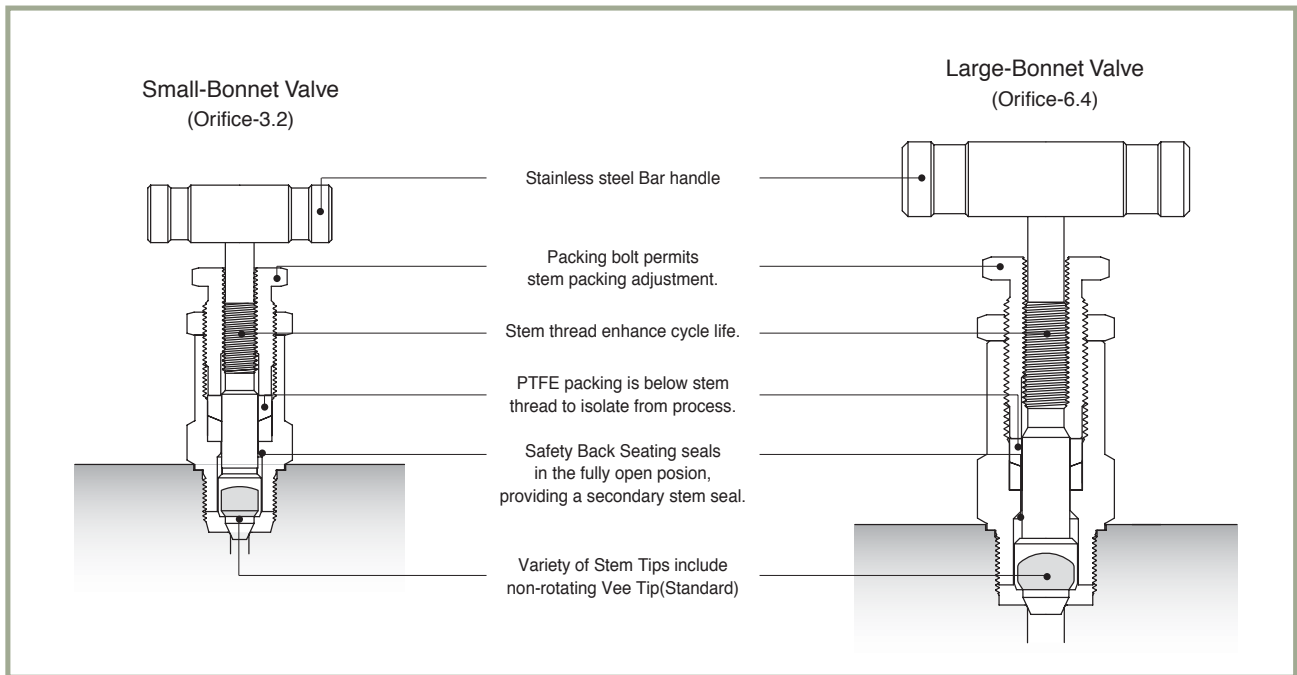




Instrument Manifolds

High Technology Valve & Fitting Series





Technical Data

Packing and Body Material

Packing Material	Body Material	Temperature Rating	Pressure Rating @100 °F(37 °C)
PTFE	SS 316	-65 °F ~ 450 °C (-53 °C ~ 232 °C)	6000 PSIG
Grafoil(Optional)		-65 °F ~ 1200 °F (-53 °C ~ 648 °C)	

Pressure-Temperature Rating

Body Material Packing Material	SS 316	
	PTFE	Grafoil
Temperature (°C)	Working Pressure psig(bar)	
-65 (-53) to 100(37)	6000 (413)	6000 (413)
200 (93)	5160 (355)	5160 (355)
250 (121)	4910 (338)	4910 (338)
300 (148)	4660 (321)	4660 (321)
350 (176)	4470 (307)	4470 (307)
400 (204)	4280 (294)	4280 (294)
450 (232)	4130 (284)	4130 (284)
500 (260)	-	3980 (274)
550 (287)	-	3870 (266)
600 (315)	-	3760 (259)
650 (343)	-	3700 (254)
700 (371)	-	3600 (248)
750 (398)	-	3520 (242)
800 (426)	-	3460 (235)
850 (454)	-	3380 (232)
900 (482)	-	3280 (225)
950 (510)	-	3220 (221)
1000 (537)	-	3030 (208)
1050 (565)	-	3000 (206)
1100 (593)	-	2685 (184)
1150 (621)	-	2285 (157)
1200 (648)	-	1715 (118)

Orifice

3.2mm (0.125 in.)	2-Valve Manifolds Block, Bleed Valve 5-Valve Manifolds Equalizer, Bleed Valve
6.4mm (0.250 in.)	3-Valve Manifolds Block, Equalizer Valve 5-Valve Manifolds Block Valve

Features

- 2-,3-,and 5-valves Instrument manifolds valves.
- Pressure Rating up to 6000psig (413bar) @ 100 °F(37 °C)
- Temperature up to 1200 °F(648 °C) with optional Grafoil packing
- All 316 stainless steel construction with PTFE packing.

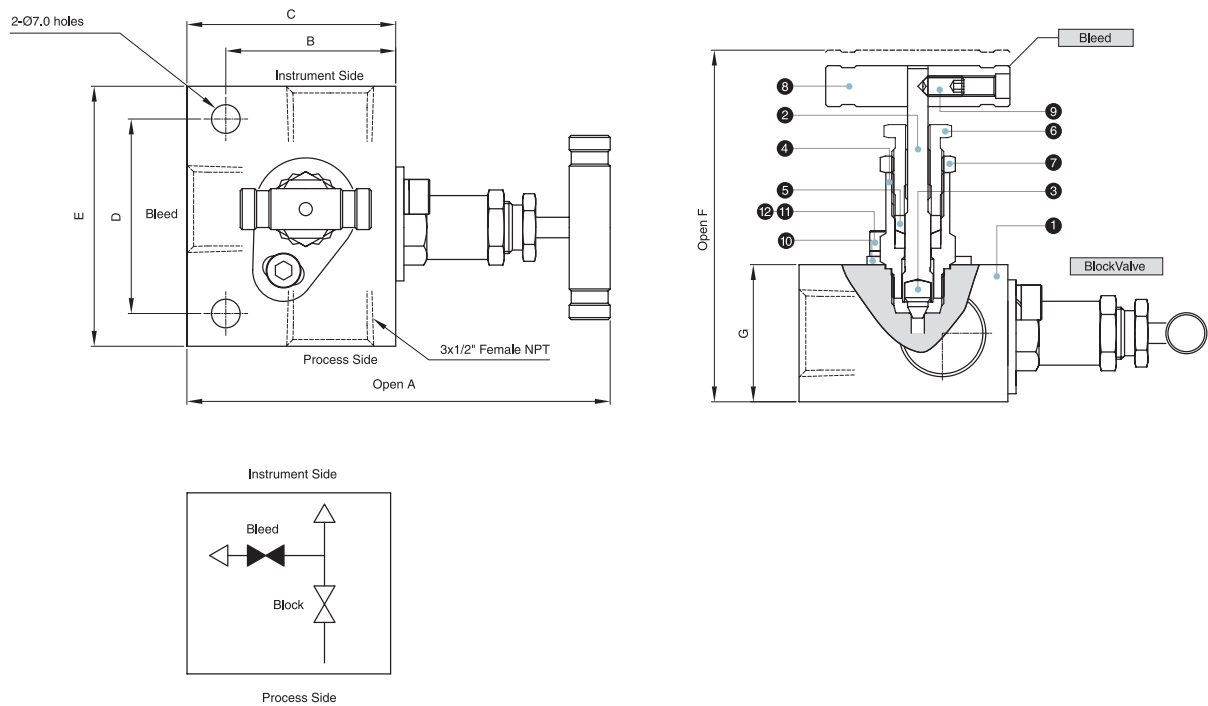
Testing

Each valve on every manifold is factory tested with nitrogen gas. The test is performed to a maximum allowable leak rate of 0.1scc/min.

* Note
450 °F(232 °C) with standard PTFE packing.
1200 °F(648 °C) with Optional Grafoil packing.

2-Valve Manifolds

Horizontal Style (Remote Mounting)



Material of Construction

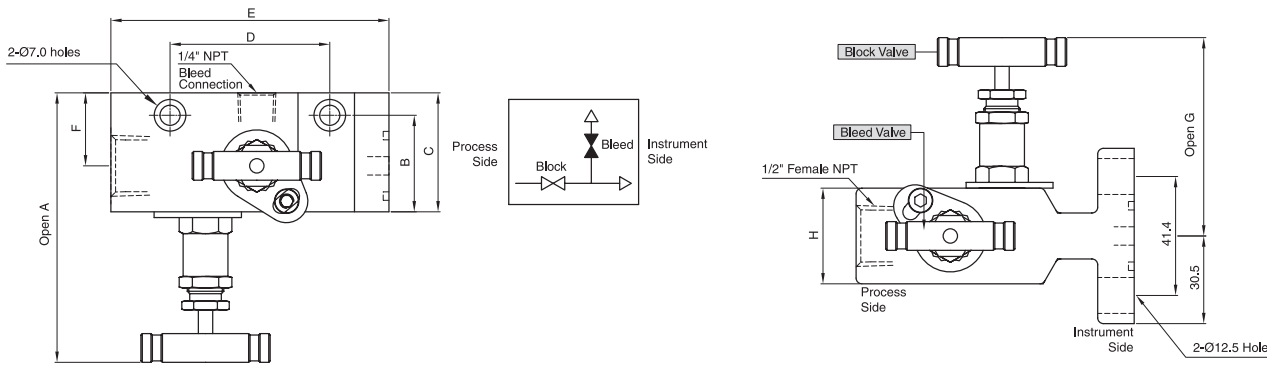
Component	Material Grade	Component	Material Grade
1 Body	SS316	7 Lock Nut	SS316
2 Stem	SS316	8 Handle	SS316
3 Vee Tip	SS316	9 Set Screw	Stainless Steel
4 Bonnet	SS316	10 Locking Plate	Stainless Steel
5 Packing	PTFE	11 Wrench Bolt	Stainless Steel
	Grafoil (optional)	12 Spring Washer	Stainless Steel
6 Packing Bolt	SS316	13	

Ordering No.	End Connections			Weight Dimensions (mm)						
	Process	Instrument	Bleed	A	B	C	D	E	F	G
SM2V-F-8N	1/2" Female NPT			103.5	41.5	51	47.5	63.5	85.9	33.5

* To order a manifold with optional Grafoil packing, add-G to the manifold ordering number.

2-Valve Manifolds

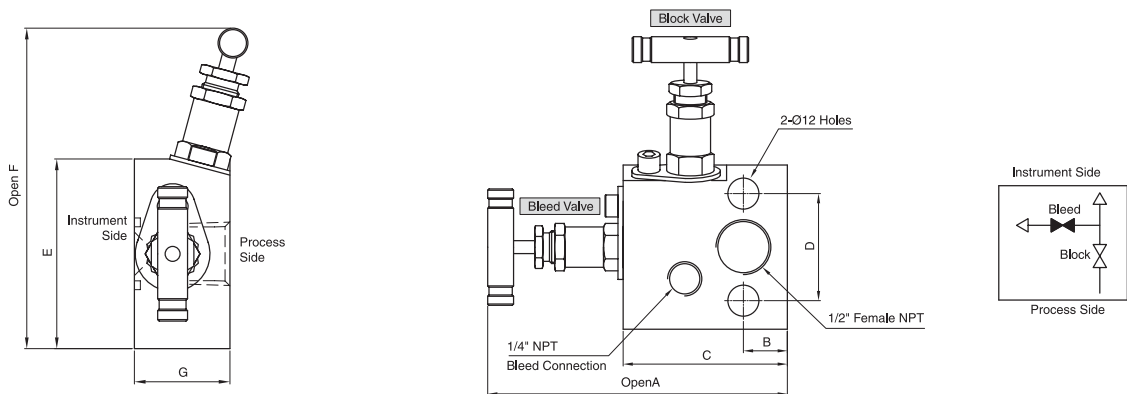
Horizontal Single Flange Style (Direct Mounting)



Ordering No.	End Connections			Weight Dimensions (mm)							
	Process	Instrument	Bleed	A	B	C	D	E	F	G	H
SM2VF-F-8N	1/2" Female NPT	Flange(MSS)	1/4" Female NPT	93.8	33.6	41.4	55.6	96.8	25.4	69.0	33.3

* To order a manifold with optional Grafoil packing, add-G to the manifold ordering number.

Vertical Style (Direct Mounting)

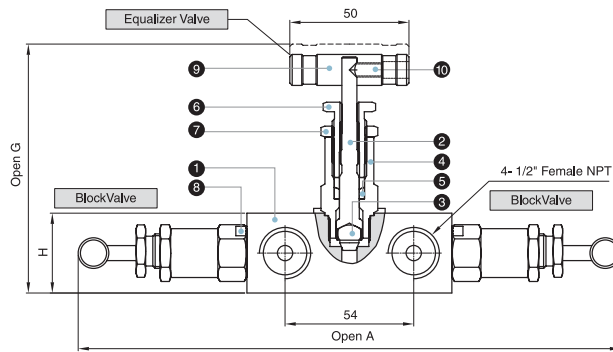
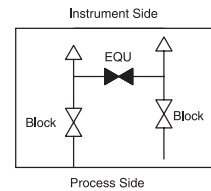
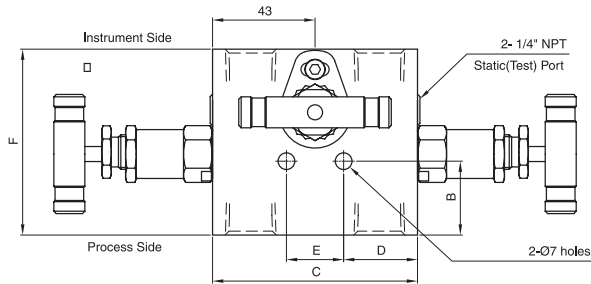


Ordering No.	End Connections			Weight Dimensions (mm)						
	Process	Instrument	Bleed	A	B	C	D	E	F	G
SM2VD-F-8N	1/2" Female NPT	Flange(MSS)	1/4" Female NPT	116.0	17.0	63.0	41.4	63.5	115.0	32.0

* To order a manifold with optional Grafoil packing, add-G to the manifold ordering number.

3-Valve Manifolds

Horizontal Style (Remote Mounting)



Material of Construction

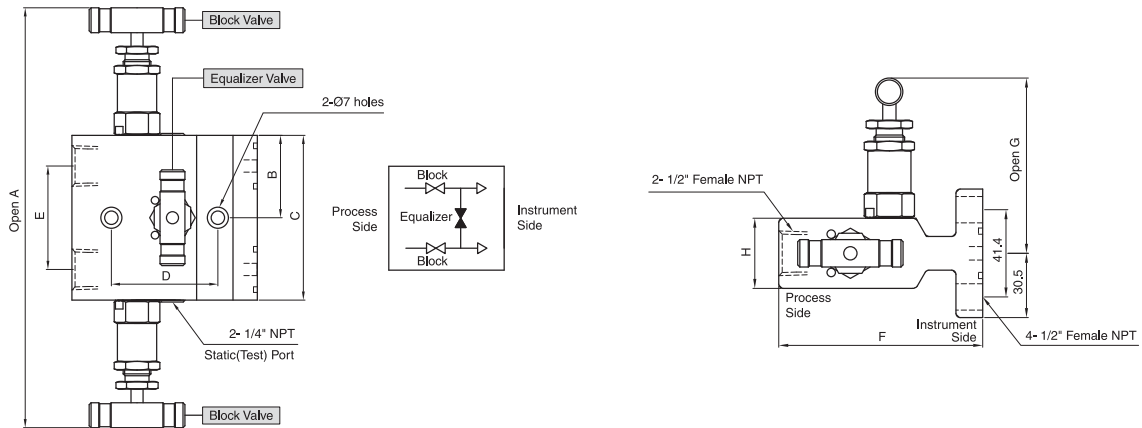
Component	Material Grade	Component	Material Grade
① Body	SS316	⑥ Packing Bolt	SS316
② Stem	SS316	⑦ Lock Nut	SS316
③ Vee Tip	SS316	⑧ Stop Pin	Stainless Steel
④ Bonnet	SS316	⑨ Handle	Stainless Steel
⑤ Packing	PTFE	⑩ Set Screw	Stainless Steel
	Grafoil (optional)		

Ordering No.	End Connections		Weight Dimensions (mm)							
	Process	Instrument	A	B	C	D	E	F	G	H
SM3V-F-8N	1/2" Female NPT		228.0	31.0	86.0	31.0	24.0	78.0	104.5	33.5

* To order a manifold with optional Grafoil packing, add-G to the manifold ordering number.

3-Valve Manifolds

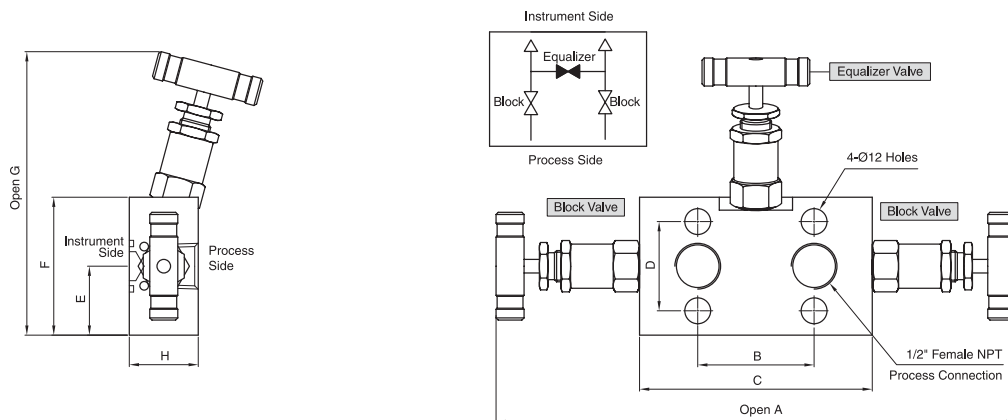
Horizontal Single Flange Style (Direct Mounting)



Ordering No.	End Connections		Weight Dimensions (mm)							
	Process	Instrument	A	B	C	D	E	F	G	H
SM3VF-F-8N	1/2" Female NPT	Flange(MSS)	228.0	43.0	86.0	55.6	54.0	96.8	87.7	33.3

* To order a manifold with optional Grafoil packing, add-G to the manifold ordering number.

Vertical Style (Direct Mounting)

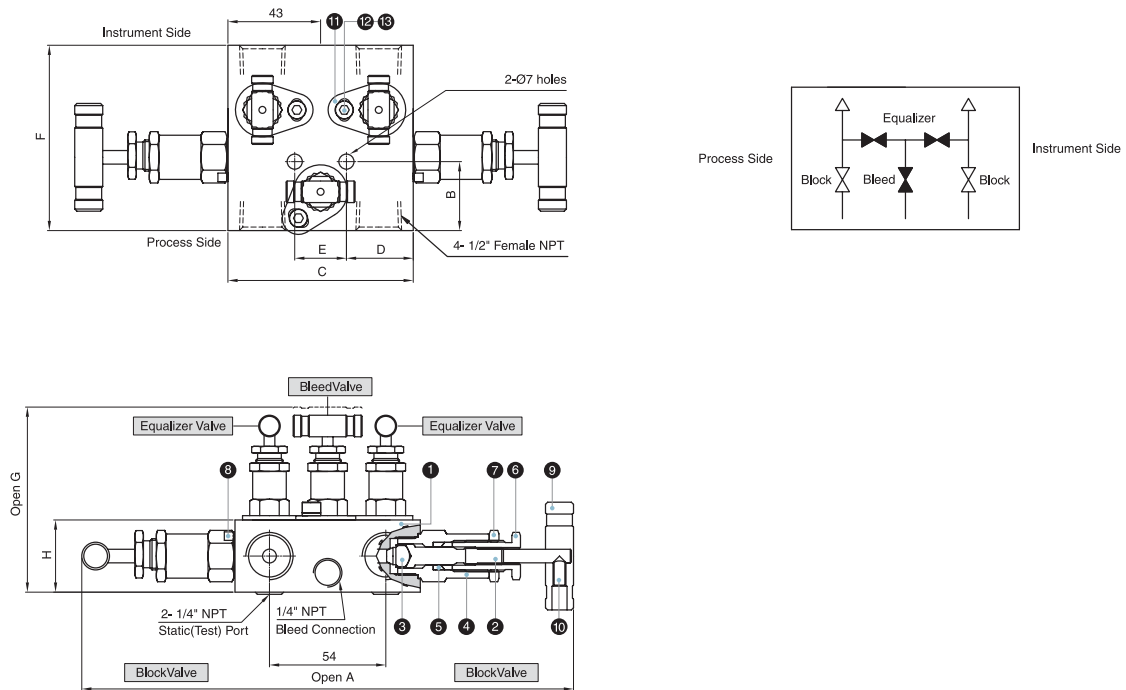


Ordering No.	End Connections		Weight Dimensions (mm)							
	Process	Instrument	A	B	C	D	E	F	G	H
SM3VD-F-8N	1/2" Female NPT	Flange(MSS)	250.0	54.0	108.0	41.4	32.0	64.0	136.0	32.0

* To order a manifold with optional Grafoil packing, add-G to the manifold ordering number.

5-Valve Manifolds

Horizontal Style (Remote Mounting)



Material of Construction

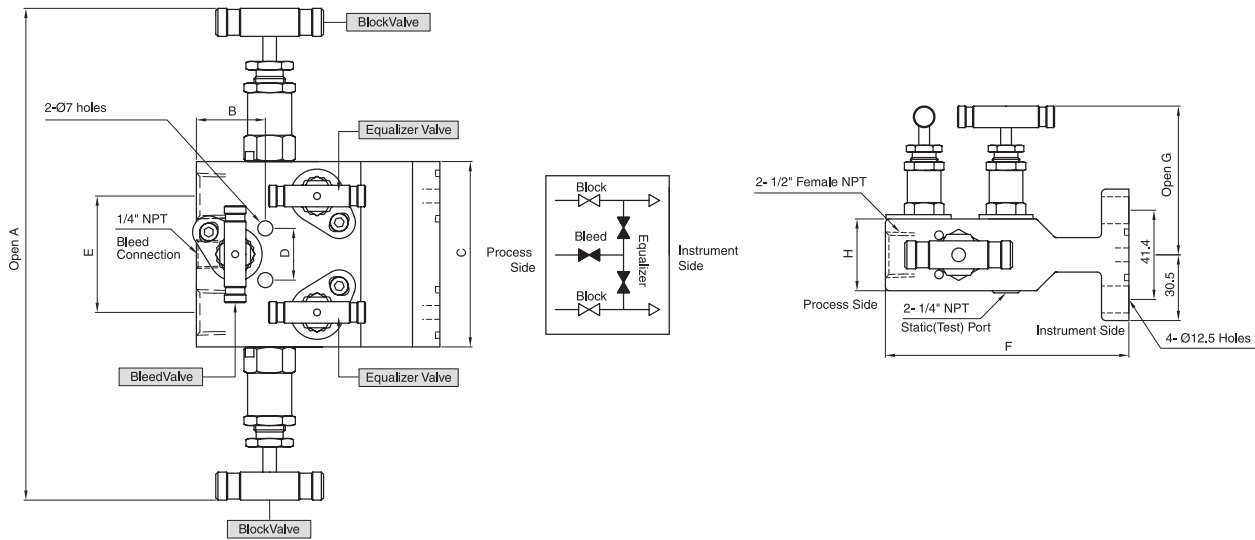
Component	Material Grade	Component	Material Grade
1 Body	SS316	7 Lock Nut	SS316
2 Stem	SS316	8 Stop Pin	Stainless Steel
3 Vee Tip	SS316	9 Handle	SS316
4 Bonnet	SS316	10 Set Screw	Stainless Steel
5 Packing	PTFE	11 Locking Plate	Stainless Steel
	Grafoil (optional)	12 Wrench Bolt	Stainless Steel
6 Packing Bolt	SS316	13 Spring Washer	Stainless Steel

Ordering No.	End Connections			Weight Dimensions (mm)							
	Process	Instrument	Bleed	A	B	C	D	E	F	G	H
SM5V-F-8N	1/2" Female NPT		1/4" Female NPT	228.0	32.0	86.0	31.0	24.0	86.0	85.9	33.5

* To order a manifold with optional Grafoil packing, add-G to the manifold ordering number.

5-Valve Manifolds

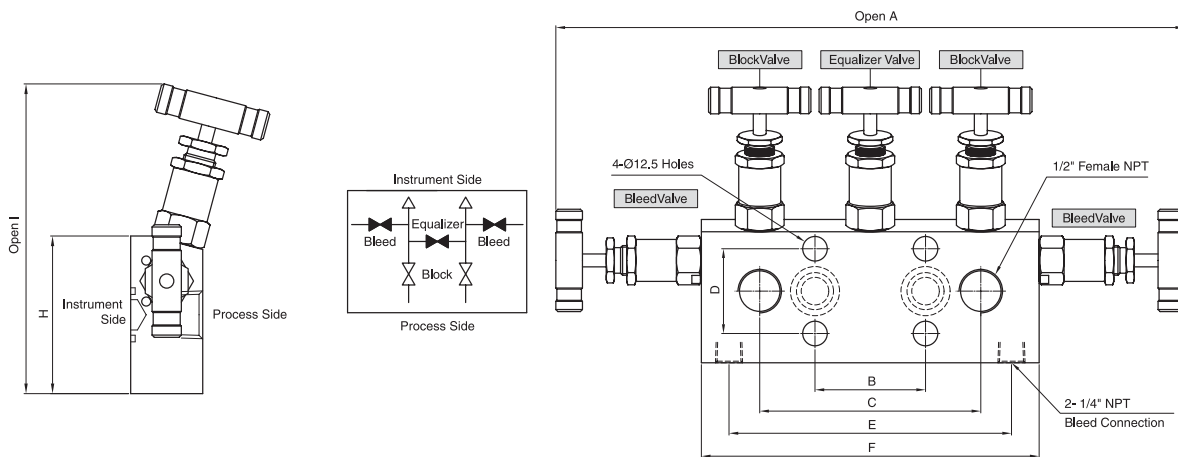
Horizontal Single Flange Style (Direct Mounting)



Ordering No.	End Connections			Weight Dimensions (mm)							
	Process	Instrument	Bleed	A	B	C	D	E	F	G	H
SM5VF-F-8N	1/2" Female NPT	Flange(MSS)	1/4" Female NPT	228.0	32.0	86.0	24.0	54.0	113.0	69.0	33.3

* To order a manifold with optional Grafoil packing, add-G to the manifold ordering number.

Vertical Style (Direct Mounting)

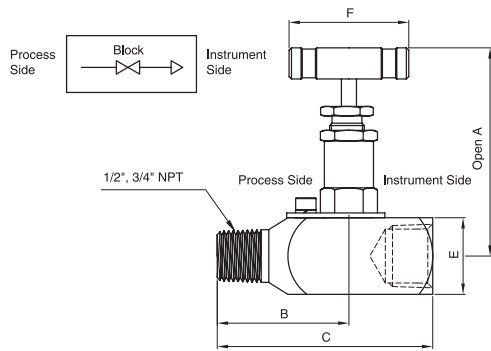


Ordering No.	End Connections			Weight Dimensions (mm)								
	Process	Instrument	Bleed	A	B	C	D	E	F	G	H	I
SM5VD-F-8N	1/2" Female NPT	Flange(MSS)	1/4" Female NPT	312.0	54.0	108.0	41.4	138.0	165.0	70.0	142.0	32.0

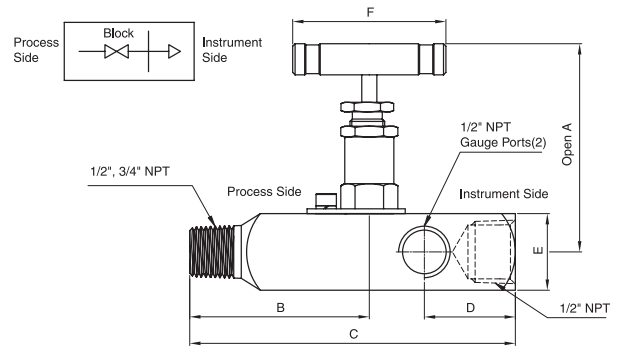
* To order a manifold with optional Grafoil packing, add-G to the manifold ordering number.

Gauge / Root Valve

SGBV(Gauge Valve)



SGRV(Gauge Root Valve)

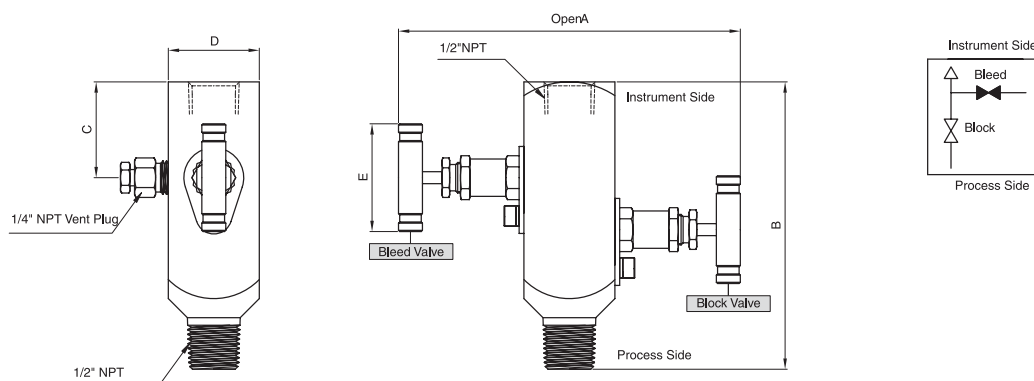


Ordering No.	End Connections		Dimensions (mm)					
	Process	Instrument	A	B	C	D	E	F
SGBV-MF-8N	1/2" Male NPT	1/2" Female NPT	87	75	136	38	32	64
SGBV-MF-12N8N	3/4" Male NPT	1/2" Female NPT						
SGRV-MF-8N	1/2" Male NPT	1/2" Female NPT	87	123	184	38	32	64
SGRV-MF-12N8N	3/4" Male NPT	1/2" Female NPT						

* To order a manifold with optional Grafoil packing, add-G to the manifold ordering number.

Gauge 2-Valve

SGBV 2



Ordering No.	End Connections		Dimensions (mm)				
	Process	Instrument	A	B	C	D	E
SGBV2-MF-8N	1/2" Male NPT	1/2" Female NPT	142	120	40	38	45

* To order a manifold with optional Grafoil packing, add-G to the manifold ordering number.



Valve Series

- Ball Valves
- Integral Bonnet Needle Valves
- Union Bonnet Needle Valves
- Check Valves
- High Pressure Check Valves
- High Pressure Needle Valves
- Plug Valves
- Manifold Valves
- Vacuum Clamp
- Regulators
- Flexible Hoses
- Double Block & Bleed Valves
- Swing-Out Ball Valves
- Toggle Valves
- Bleed & Purge Valves
- Quick Connectors
- High Pressure Ball Valves
- Hydraulic Ball Valves
- Trunnion Ball Valves
- Rising Plug Valves
- Relief Valves
- Cryogenic Needle Valves
- Cryogenic Ball Valves

Fitting Series

- Tube Fittings
- Thread Fittings
- Forged Fittings
- Bite Type Tube Fittings (DIN2353)
- Bite Type Tube Fittings (JIS B2351)
- 37° Flared Tube Fittings (SAE J514)
- O-Ring Face Seal Fittings
- Hose Connectors & Push-On Hose Fittings

Electronics

- MCPD(Molded Case Power Distributor)

BMT Co., Ltd.

21-1, Bukjeong-dong Yangsan-si 경상남도 양산시 북정동 21-1
Gyeongsangnam-do Korea 전화 : 055-783-1000
Tel. 82-55-783-1000 팩스 : 055-783-1111
Fax. 82-55-783-1111 www.superlok.com
www.superlok.com superlok@superlok.com
superlok@superlok.com

